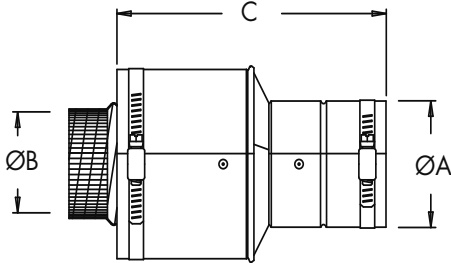


Direct Vent Oil

Dimensional Spec Sheets

Oil Vent Connector

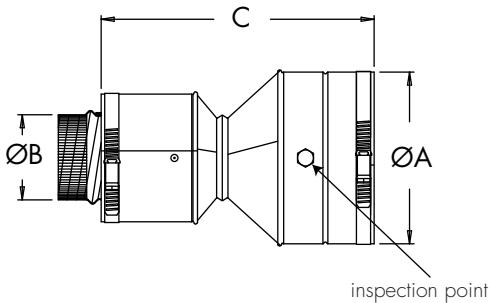
Adapts insulated Flex Vent to appliance or termination.



A	B	C	PART ID	DESCRIPTION
2"	2"	7"	2OILCON02	Connector Oil Vent 2" To 2" Flex
3"	3"	7"	2OILCON03	Connector Oil Vent 3" To 3" Flex
4"	4"	7"	2OILCON04	Connector Oil Vent 4" To 4" Flex
5"	5"	7"	2OILCON05	Connector Oil Vent 5" To 5" Flex
6"	6"	7"	2OILCON06	Connector Oil Vent 6" To 6" Flex

Oil Vent Connector w/inspection port

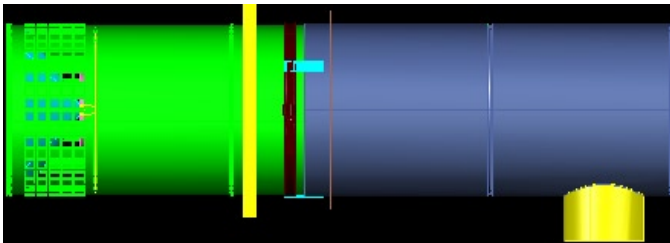
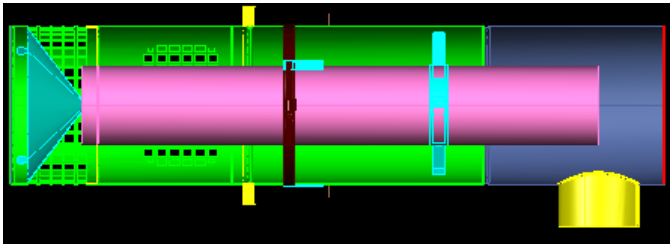
Adapts insulated Flex Vent to appliance. The adapter is supplied with an inspection port for combustion analyzer.



A	B	C	PART ID	DESCRIPTION
3"	3"	9"	2OILCON03IP	Connector Oil Vent 3" To 3" Flex /w Inspection Port
4"	4"	9"	2OILCON04IP	Connector Oil Vent 4" To 4" Flex /w Inspection Port
4"	3"	9"	2OILCON043IP	Connector Oil Vent 4" To 3" Flex /w Inspection Port
5"	3"	9"	2OILCON53IP	Connector Oil Vent 5" To 3" Flex /w Inspection Port
5"	4"	9"	2OILCON54IP	Connector Oil Vent 5" To 4" Flex /w Inspection Port
6"	3"	9"	2OILCON63IP	Connector Oil Vent 6" To 3" Flex /w Inspection Port
6"	4"	9"	2OILCON64IP	Connector Oil Vent 6" To 4" Flex /w Inspection Port
6"	5"	9"	2OILCON65IP	Connector Oil Vent 6" To 5" Flex /w Inspection Port
7"	3"	9"	2OILCON73IP	Connector Oil Vent 7" To 3" Flex /w Inspection Port
7"	4"	9"	2OILCON74IP	Connector Oil Vent 7" To 4" Flex /w Inspection Port
7"	5"	9"	2OILCON75IP	Connector Oil Vent 7" To 5" Flex /w Inspection Port
7"	6"	9"	2OILCON76IP	Connector Oil Vent 7" To 6" Flex /w Inspection Port

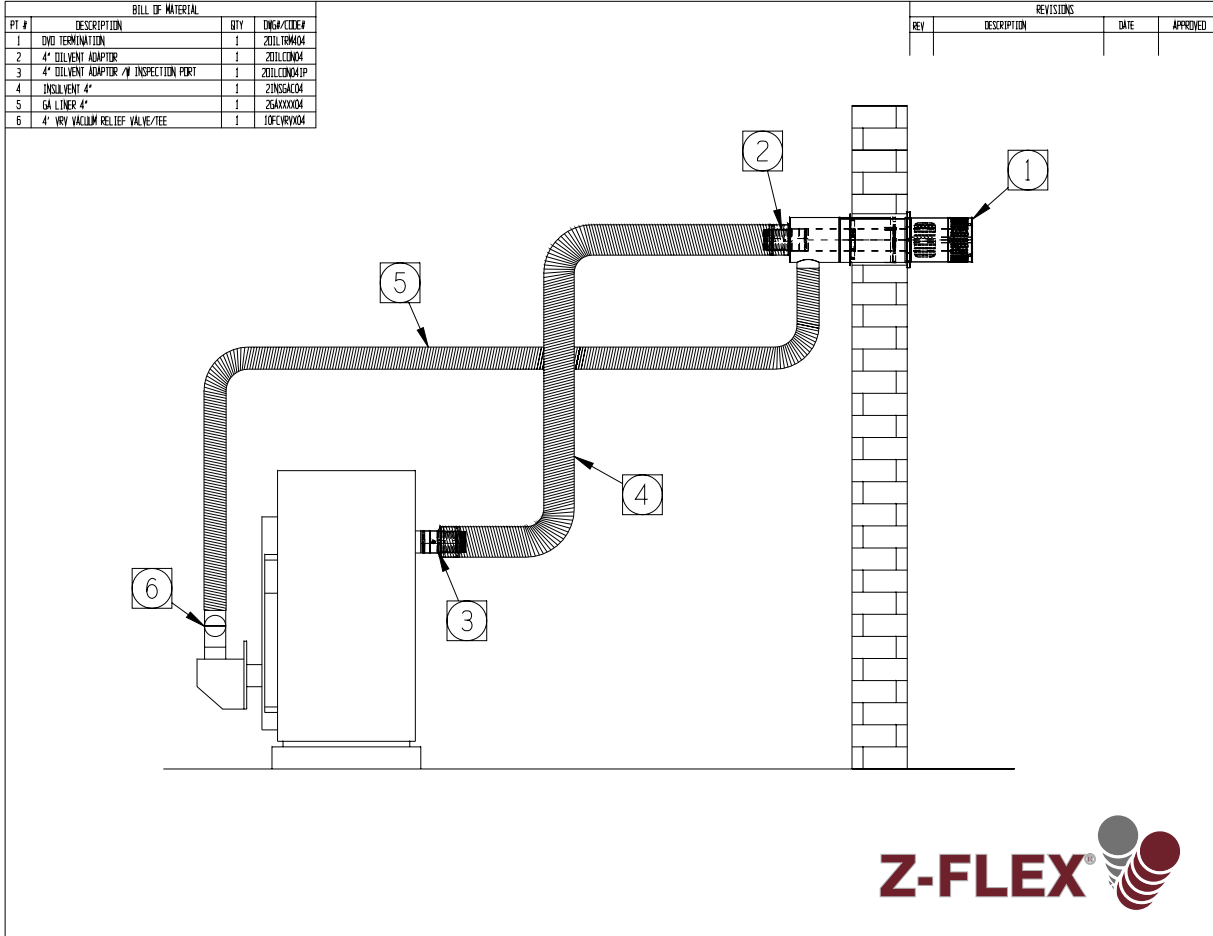
DVO Termination

The DVO termination is concentric, through the wall single penetration assembly designed for easy installation. The inner pipe exhausts products of combustion while the outer allows for combustion air intake. Adjustable wall plates accommodate standard wall thickness.



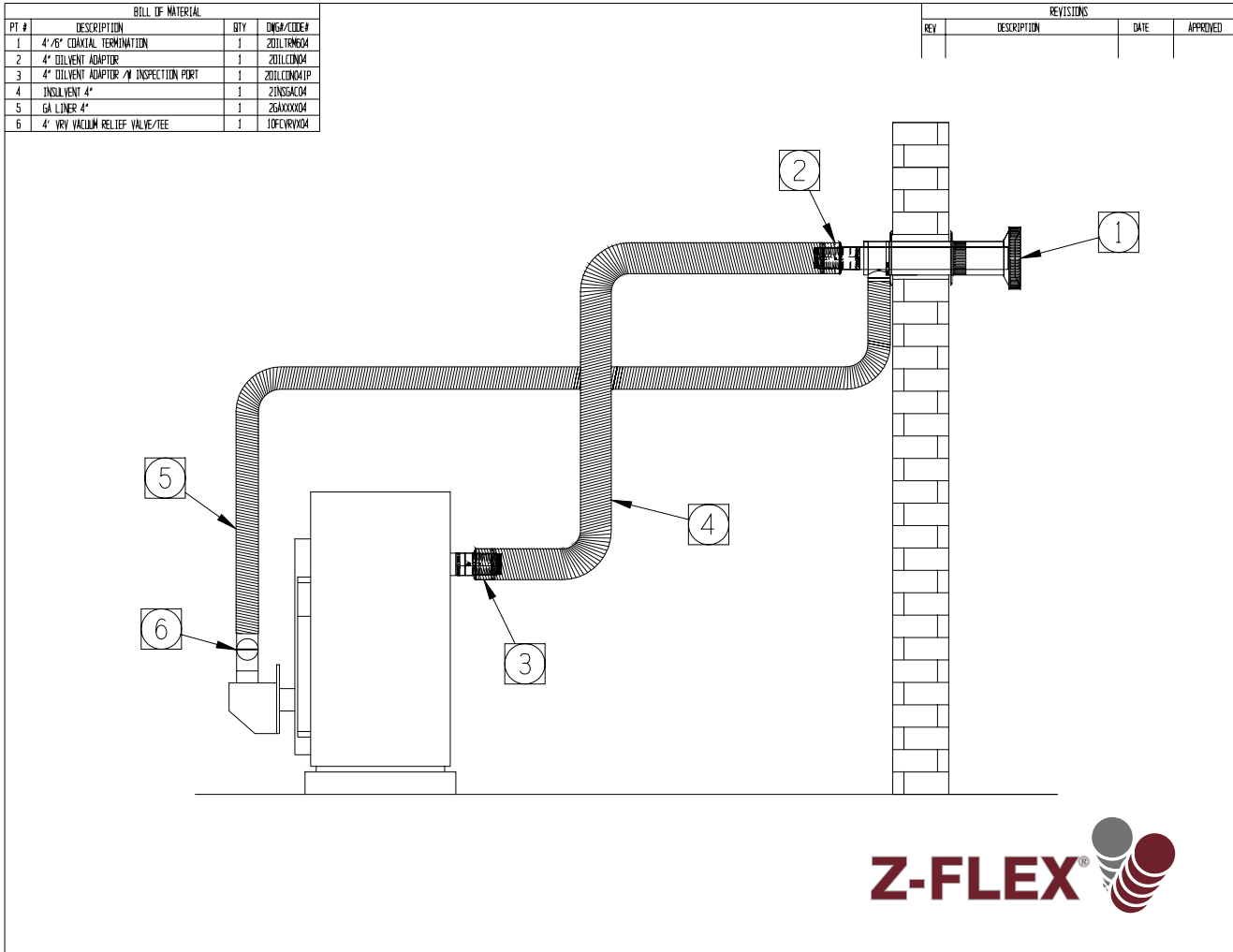
Direct Vent Oil

Dimensional Spec Sheets



Direct Vent Oil

Dimensional Spec Sheets



The information provided within is for informational purposes only. We have made every effort to ensure the accuracy of the provided information and assume no responsibility for any loss or damage due to errors or omissions or to the use or misuse of any information supplied. It is impossible to test all products under all conditions to which they might be subjected in the field. It is therefore the buyer and/or end users' responsibility to test all products under the conditions that duplicate the service conditions prior to installation. All improvements, all specifications are subject to change without prior notice. It is the buyer and/or end users' responsibility to review our complete Terms and Conditions of Sale located on our web sites at: www.novaflex.com | www.z-flex.com | www.flexmaster.com.